

MODEL: DC Pro 2-250 H5 V1 460/60

CAPACITY: 550 LBS [250 kg]

LIFT: 16 FT

LIFT SPEED: 32/8 FPM

SUPPLY VOLTAGE: 460/3/60

CONTROL VOLTAGE: 24V

HOIST MOTOR: ZNK71B8/2

STARTING AMPS: 1.7/4.4

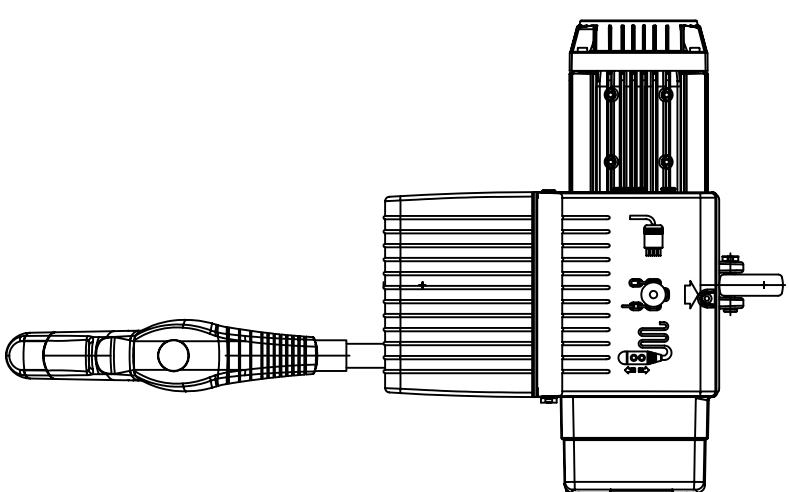
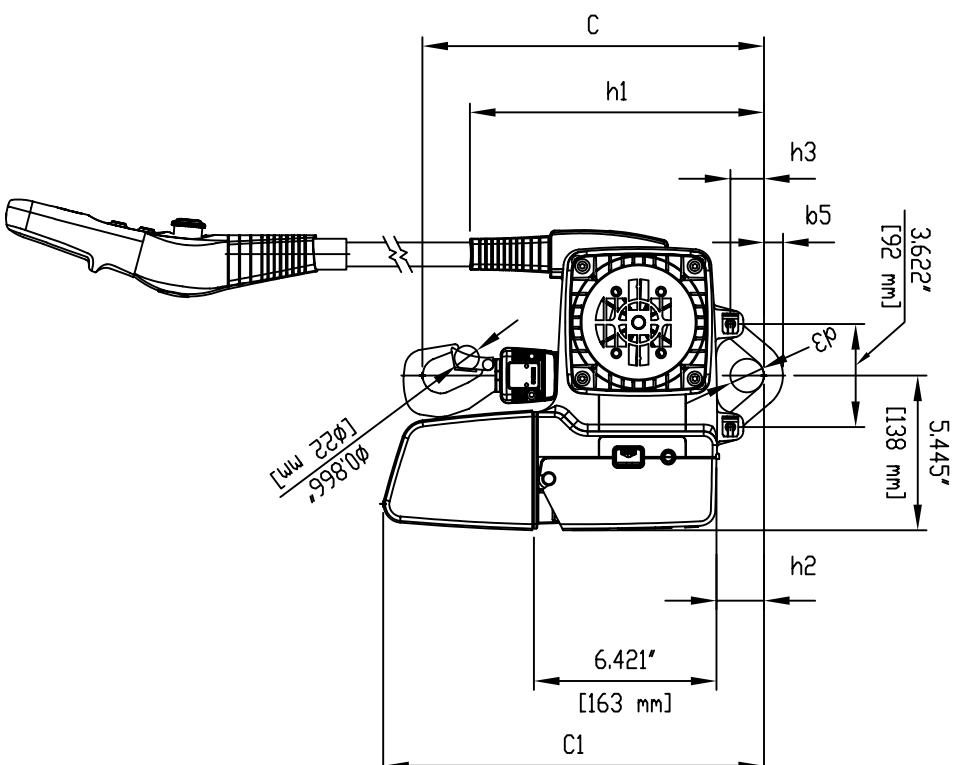
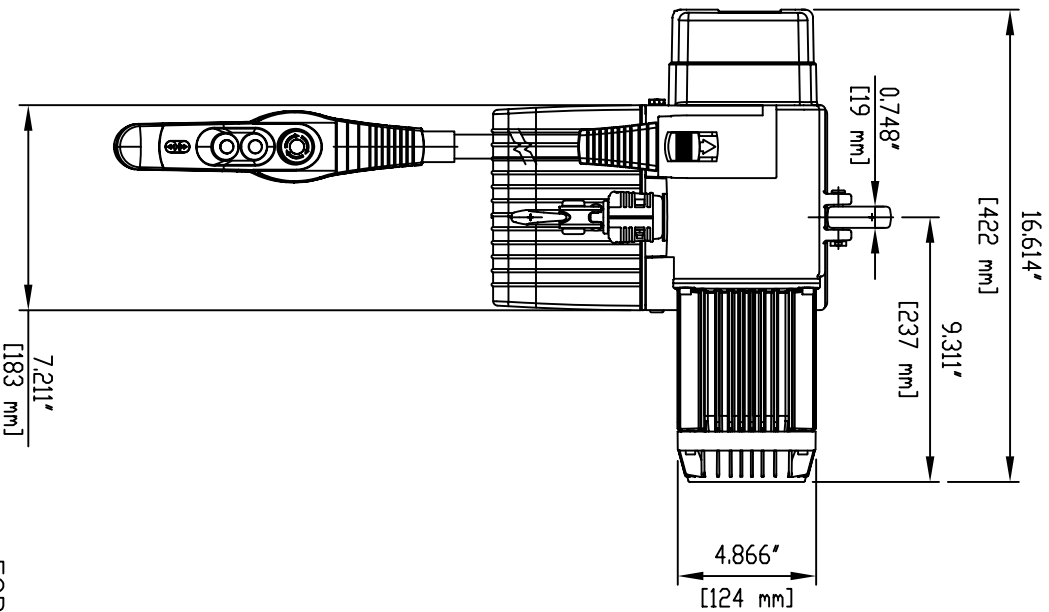
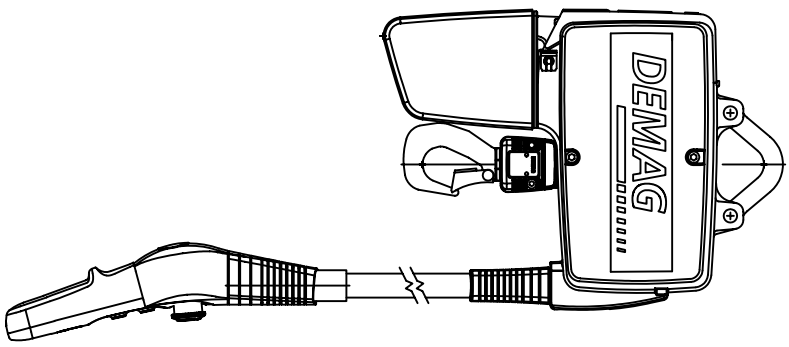
FULL LOAD AMPS: 1.2/1.6

HOIST WEIGHT: 49 LBS [22 kg]

HOIST DIMENSIONS*

SHORT SUSPENSION EYE		LONG SUSPENSION EYE	
VALUE	INCHES	VALUE	INCHES
b5	0.67	b5	0.63
C	12.01	C	13.50
C1	13.19	C1	14.69
d3	1.18	d3	1.77
h1	10.35	h1	11.81
h2	1.57	h2	3.07
h3	1.18	h3	2.68

* DRAWING SHOWS HOIST WITH SHORT EYE



FOR ADDITIONAL DETAILS, REFER TO THE FOLLOWING DOCUMENTS
 IDENT # 90042649 - OPERATING INSTRUCTIONS & SPARE PARTS
 IDENT # 90043249 - TECHNICAL DATA

MANUFACTURER: DEMAG CRANES & COMPONENTS
 29201 AURORA ROAD
 SOLON, OHIO 44139

MICRO FILM		DATE		INITIALS	
REV. RECORD		DATE		INITIALS	
0					
TOLERANCES, UNLESS OTHERWISE SPECIFIED: STRUCTURAL FRAMES +/- 0.125" MACHINED PARTS +/- 0.01" ANGULAR DIMENSIONS +/- .30° ALL MACHINED SURFACES TO BE $\sqrt{10}$					
DIA. MARKED TO BE CONCENTRIC WITHIN 0.003" T.I.R.					
DESCRIPTION OF REVISION		DATE	INITIALS	DRAWN	
DC Pro 2-250 H5 V1 460/60				CHECKED	
TYPE 1/1 REEVED, LUG MOUNTED				APPR.	
SCALE:				DEPT. CODE	
ORIGINATED FROM:				REPLACEMENT FOR:	
QUOTE NO.:		IDENT-NO.		SK	
93007846		93007846		AZ	
ORDER NO.		F U.A.		S SH.T.	
		3		E /	

