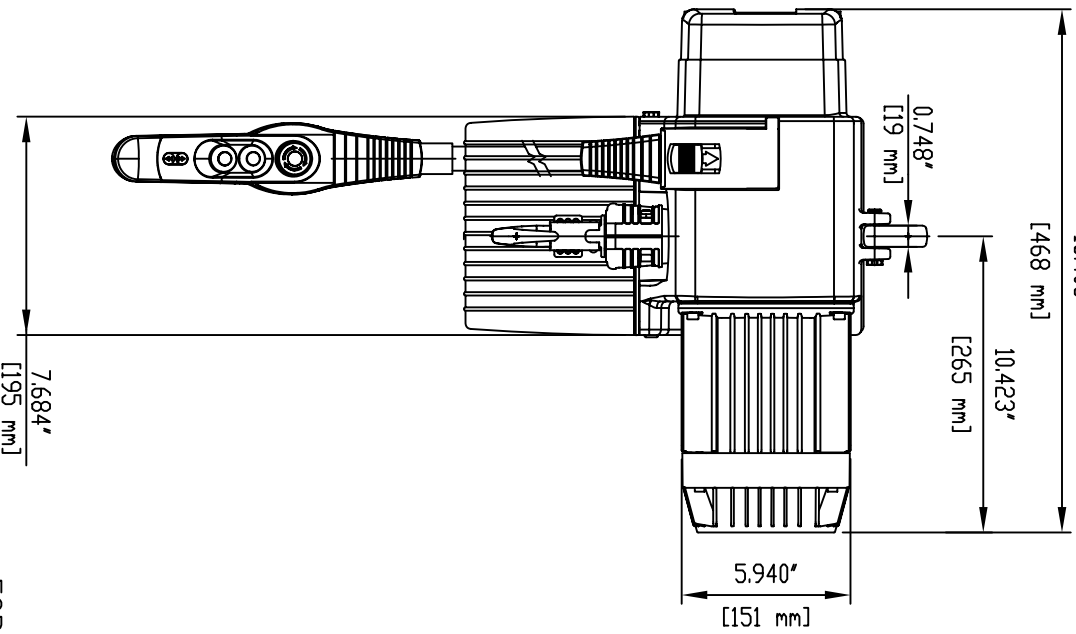
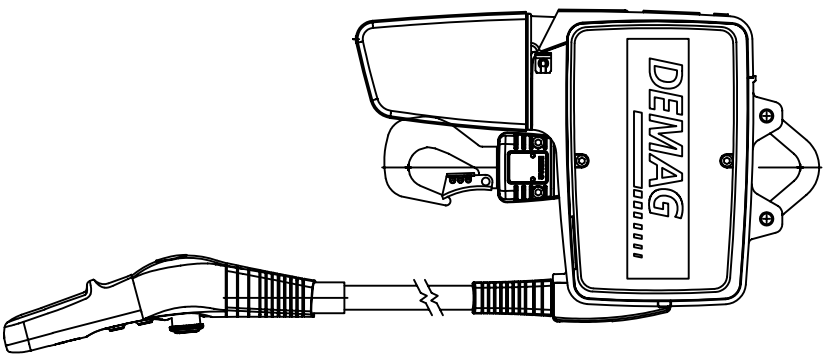


18.406'



**MODEL:** DC Pro 5-250 H5 V2 460/60

**CAPACITY:** 550 LBS [250 kg]

**LIFT:** 16 FT

**LIFT SPEED:** 48/12 FPM

**SUPPLY VOLTAGE:** 460/3/60

**CONTROL VOLTAGE:** 24V

**HOIST MOTOR:** ZNK80A8/2

**STARTING AMPS:** 2.7/12.6

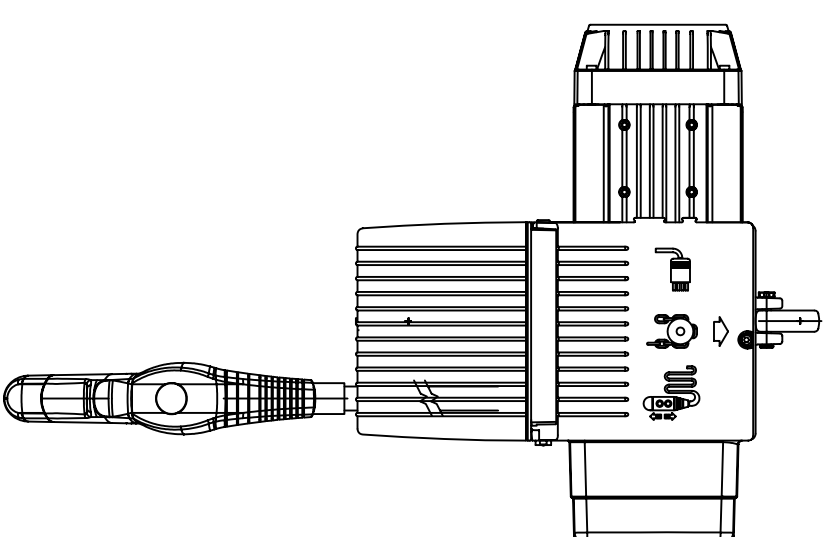
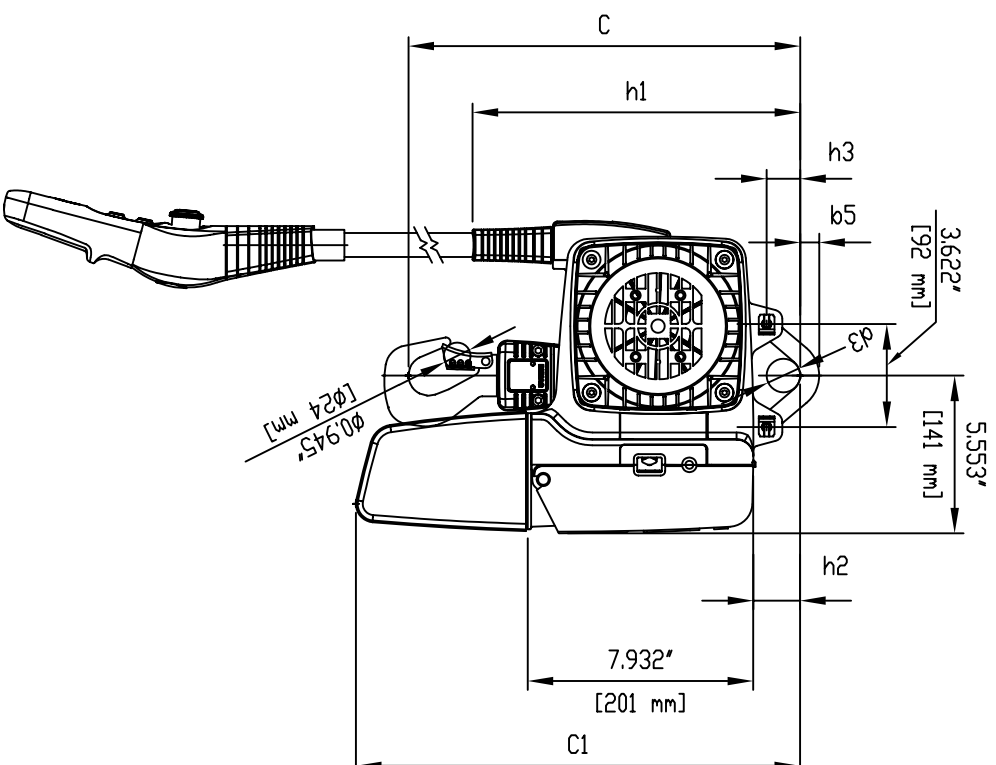
**FULL LOAD AMPS:** 1.3/2.9

**HOIST WEIGHT:** 62 LBS [28 kg]

**HOIST DIMENSIONS\***

SHORT SUSPENSION EYE	LONG SUSPENSION EYE
VALUE	VALUE
INCHES	INCHES
mm	mm
b5	b5
0.67	0.63
17	16
C	C
12.01	13.50
305	343
C1	C1
15.55	17.13
395	435
d3	d3
1.18	1.77
30	45
h1	h1
11.54	12.72
293	323
h2	h2
1.57	3.07
40	78
h3	h3
1.18	2.68
30	68

\* DRAWING SHOWS HOIST WITH SHORT EYE



FOR ADDITIONAL DETAILS, REFER TO THE FOLLOWING DOCUMENTS  
 IDENT # 90042649 - OPERATING INSTRUCTIONS & SPARE PARTS  
 IDENT # 90043249 - TECHNICAL DATA

MANUFACTURER: DEMAG CRANES & COMPONENTS  
 29201 AURORA ROAD  
 SOLON, OHIO 44139

MICRO FILM		DATE		INITIALS	
REV. RECORD		DATE		INITIALS	
0					
<p><b>DEMAG</b> Cranes &amp; Components</p>					
<p>DESCRIPTION OF REVISION</p> <p>TOLERANCES, UNLESS OTHERWISE SPECIFIED:                  STRUCTURAL FRAMES +/- 0.125"                  MACHINED PARTS +/- 0.01"                  ANGULAR DIMENSIONS +/- 30'                  ALL MACHINED SURFACES TO BE 12.5</p>				<p>DIA. MARKED TO BE CONCENTRIC WITHIN 0.003" T.I.R.</p>	
DRAWN		DATE		INITIALS	
CHECKED					
APPR.					
SCALE:					
DEPT. CODE					
DESCRIPTION			QUOTE NO.:		
DC Pro 5-250 H5 V2 460/60			93007946		
TYPE 1/1 REEVED, LUG MOUNTED			SK AZ		
ORIGINATED FROM:			REPLACED BY:		
REPLACEMENT FOR:			ORDER NO.		
			F U.A. S SH.T. OF		
			3 E /		