

MODEL: DC Pro 2-250 H8 V1 460/60

CAPACITY: 550 LBS [250 kg]

LIFT: 26 FT

LIFT SPEED: 32/8 FPM

SUPPLY VOLTAGE: 460/3/60

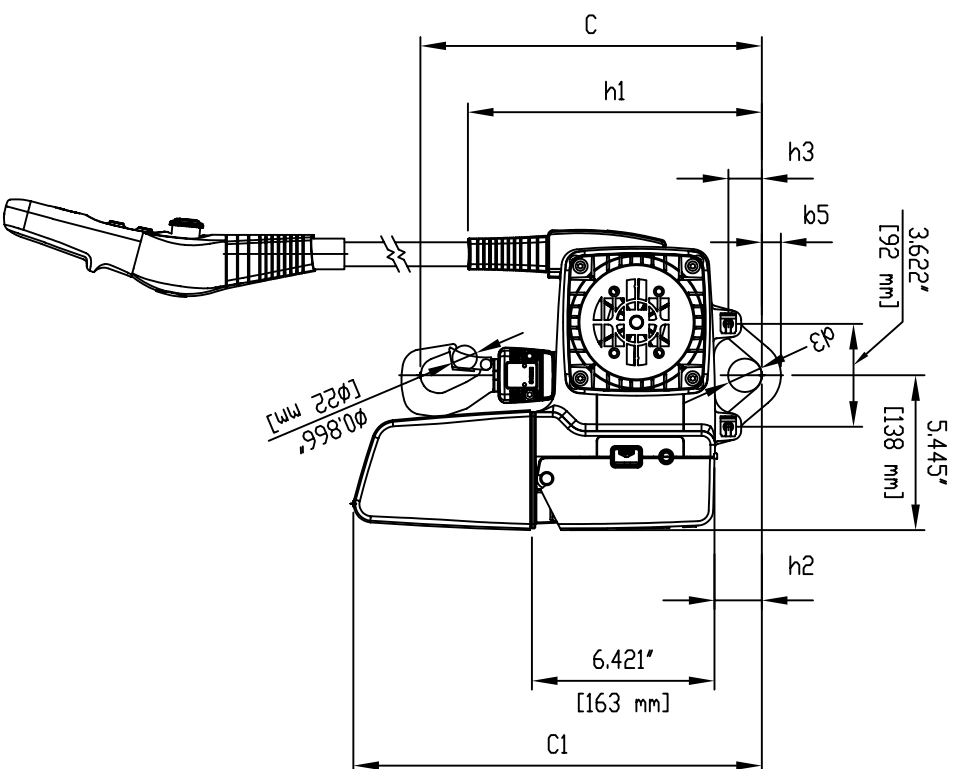
CONTROL VOLTAGE: 24V

HOIST MOTOR: ZNK71B8/2

STARTING AMPS: 1.7/4.4

FULL LOAD AMPS: 1.2/1.6

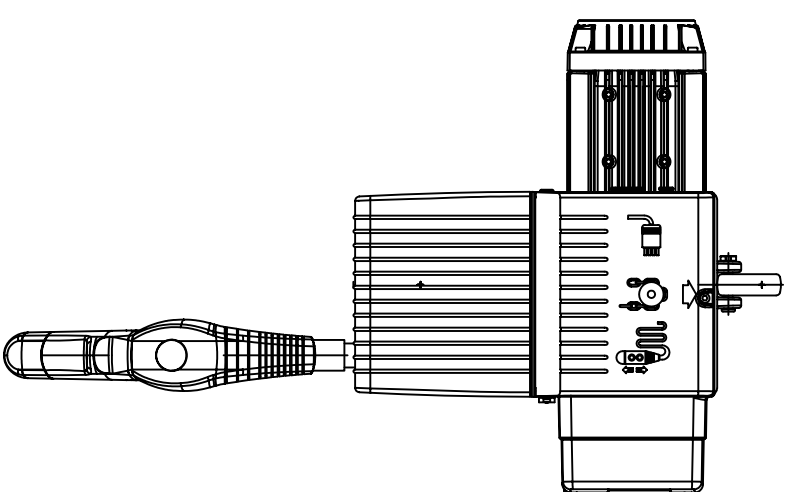
HOIST WEIGHT: 53 LBS [24 kg]



HOIST DIMENSIONS*

SHORT SUSPENSION EYE	LONG SUSPENSION EYE				
	VALUE	INCHES	VALUE	INCHES	mm
b5	0.67	17	b5	0.63	16
C	12.01	305	C	13.50	343
C1	14.37	365	C1	15.87	403
d3	1.18	30	d3	1.77	45
h1	10.35	263	h1	11.81	300
h2	1.57	40	h2	3.07	78
h3	1.18	30	h3	2.68	68

* DRAWING SHOWS HOIST WITH SHORT EYE



FOR ADDITIONAL DETAILS, REFER TO THE FOLLOWING DOCUMENTS
 IDENT # 90042649 - OPERATING INSTRUCTIONS & SPARE PARTS
 IDENT # 90043249 - TECHNICAL DATA

MANUFACTURER: DEMAG CRANES & COMPONENTS
 29201 AURORA ROAD
 SOLON, OHIO 44139

MICRO FILM			
REV. RECORD			
0	DATE	INITIAL	
DEMAG Cranes & Components			
TOLERANCES, UNLESS OTHERWISE SPECIFIED: STRUCTURAL FRAMES +/-.0125" MACHINED PARTS +/-.001" ANGULAR DIMENSIONS +/-.30°		DIA. MARKED TO BE CONCENTRIC WITHIN 0.003" T.I.R.	
DRAWN	CHECKED	DATE	INITIALS
APPR.	SCALE:		
DEPT. CODE			
DESCRIPTION OF REVISION			
DC Pro 2-250 H8 V1 460/60 TYPE 1/1 REEVED, LUG MOUNTED			
QUOTE NO.: IDENT-NO. 93008046		ORDER NO.	
REPLACEMENT FOR:		REPLACED BY:	
SK AZ		F U.A. S SH.T. OF	