

MODEL: DC Pro 5-500 H5 V1 460/60

CAPACITY: 1100 LBS [500 kg]

LIFT: 16 FT

LIFT SPEED: 24/6 FPM

SUPPLY VOLTAGE: 460/3/60

CONTROL VOLTAGE: 24V

HOIST MOTOR: ZNK80A8/2

STARTING AMPS: 2.7/12.6

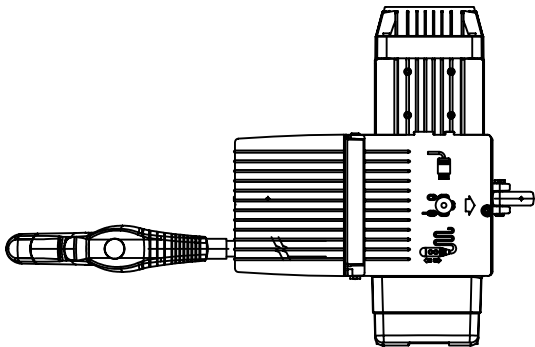
FULL LOAD AMPS: 1.3/2.9

HOIST WEIGHT: 62 LBS [28 kg]

HOIST DIMENSIONS*

SHORT SUSPENSION EYE	LONG SUSPENSION EYE
VALUE	VALUE
INCHES	INCHES
mm	mm
b5 0.67	b5 0.63
b6 1.7	b6 1.6
c 13.78	c 15.28
c1 15.55	c1 17.13
d3 1.18	d3 1.77
h1 1.54	h1 12.72
h2 1.57	h2 3.07
h3 1.18	h3 2.68
	h3 68

* DRAWING SHOWS HOIST WITH SHORT EYE



FOR ADDITIONAL DETAILS, REFER TO THE FOLLOWING DOCUMENTS
 IDENT # 90042649 - OPERATING INSTRUCTIONS & SPARE PARTS
 IDENT # 90043249 - TECHNICAL DATA

MANUFACTURER: DEMAG CRANES & COMPONENTS
 29201 AURORA ROAD
 SOLON, OHIO 44139

MICRO FILM		DATE		INITIALS	
RECORD		DATE		INITIALS	
DESCRIPTION OF REVISION		DRAWN		DATE	
TOLERANCES, UNLESS OTHERWISE SPECIFIED:		CHECKED		DATE	
FRACTIONS: 1/16, 1/32, 1/64, 1/128		APPR.		DATE	
DECIMALS: 0.001, 0.002, 0.005, 0.010, 0.020, 0.050, 0.100		SCALE:		DATE	
HOLE DIMENSIONS: UNLESS OTHERWISE SPECIFIED, HOLE DIMENSIONS TO BE CONSIDERED TO BE HOLE DIMENSIONS		DEPT. CODE		DATE	
ALL DIMENSIONS UNLESS OTHERWISE SPECIFIED TO BE IN INCHES		DESCRIPTION		QUOTE NO.:	
ALL DIMENSIONS UNLESS OTHERWISE SPECIFIED TO BE IN MILLIMETERS		DC Pro 5-500 H5 V1 460/60		IDENT-NO. 93014446	
ALL DIMENSIONS UNLESS OTHERWISE SPECIFIED TO BE IN MILLIMETERS		TYPE 1/1 REEVED, LUG MOUNTED		SK AZ	
ALL DIMENSIONS UNLESS OTHERWISE SPECIFIED TO BE IN MILLIMETERS		ORIGINAL FROM:		ORDER NO.:	
ALL DIMENSIONS UNLESS OTHERWISE SPECIFIED TO BE IN MILLIMETERS		REPLACEMENT FOR:		F U.A. S SH.T. OF	
ALL DIMENSIONS UNLESS OTHERWISE SPECIFIED TO BE IN MILLIMETERS		REPLACED BY:		3 E /	