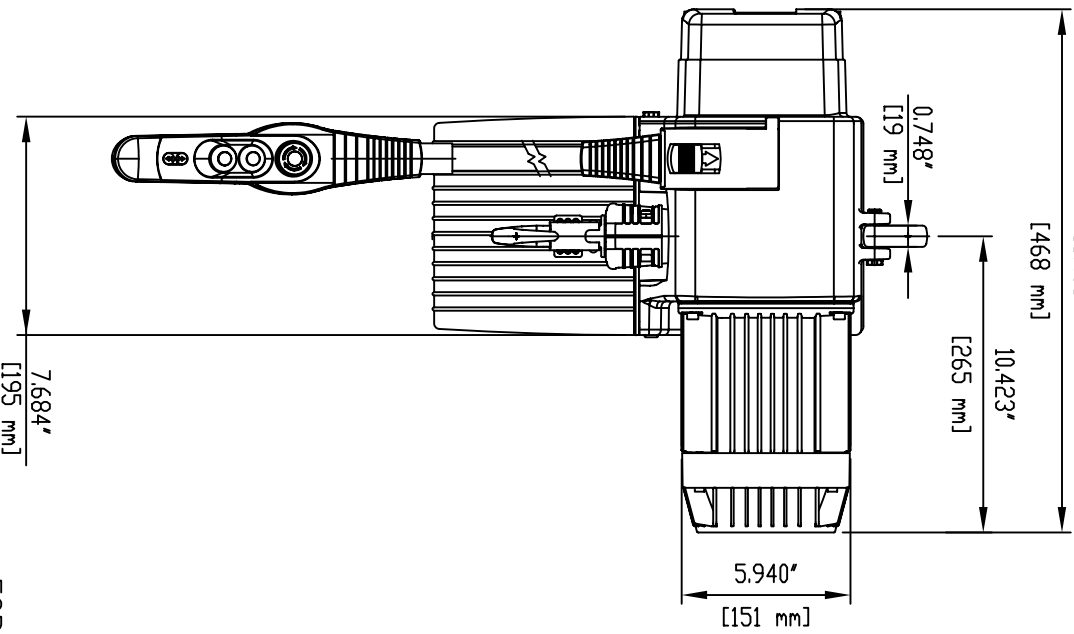


18.406'



MODEL: DC Pro 5-500 H8 V1 460/60

CAPACITY: 1100 LBS [500 kg]

LIFT: 26 FT

LIFT SPEED: 24/6 FPM

SUPPLY VOLTAGE: 460/3/60

CONTROL VOLTAGE: 24V

HOIST MOTOR: ZNK80A8/2

STARTING AMPS: 2.7/12.6

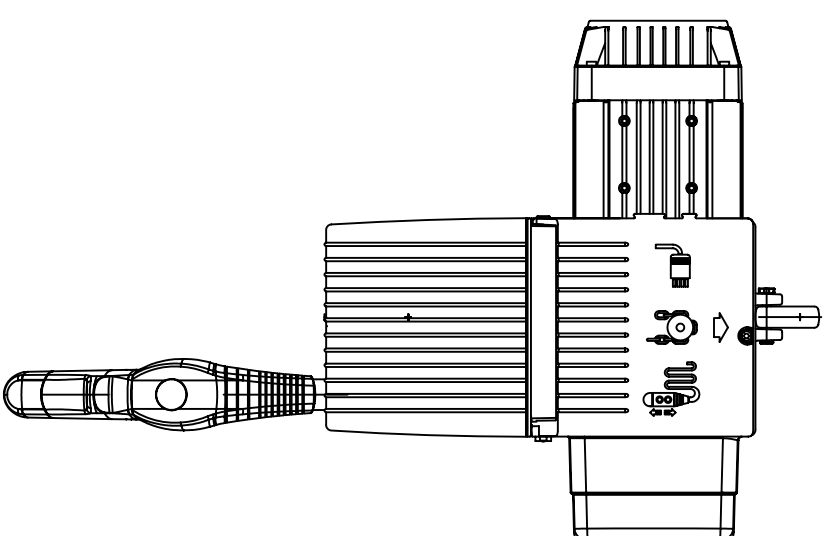
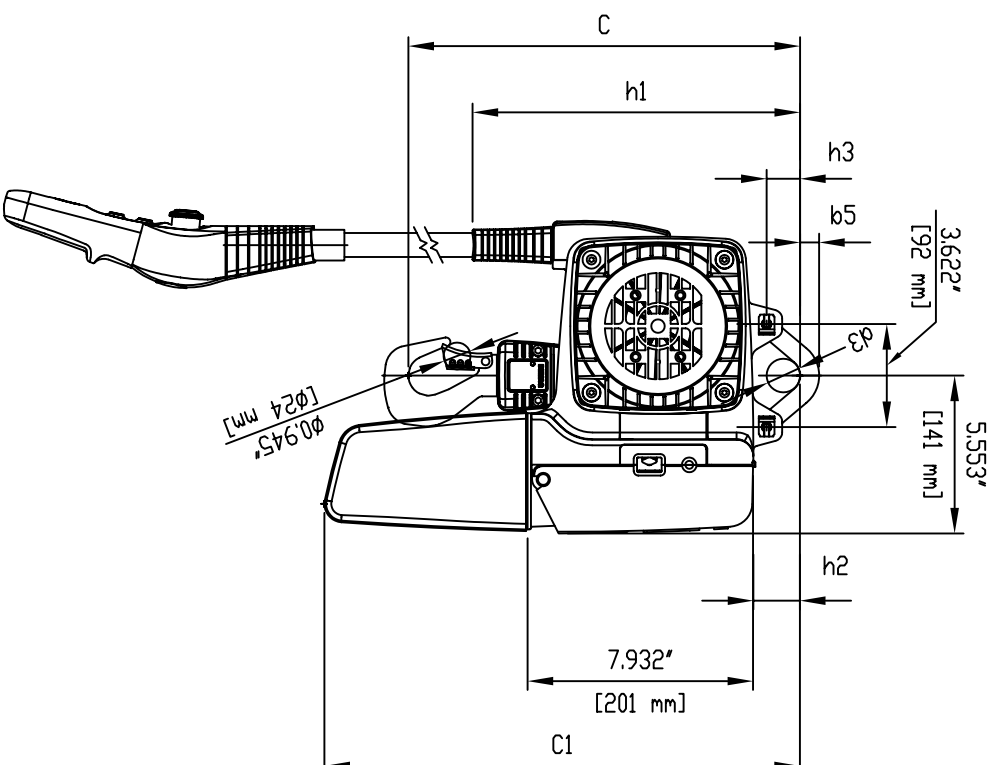
FULL LOAD AMPS: 1.3/2.9

HOIST WEIGHT: 66 LBS [30 kg]

HOIST DIMENSIONS*

SHORT SUSPENSION EYE	LONG SUSPENSION EYE
VALUE	VALUE
INCHES	INCHES
mm	mm
b5	b5
0.67	0.63
17	16
C	C
12.01	13.50
305	343
C1	C1
16.73	18.31
425	465
d3	d3
1.18	1.77
30	45
h1	h1
11.54	12.72
293	323
h2	h2
1.57	3.07
40	78
h3	h3
1.18	2.68
30	68

* DRAWING SHOWS HOIST WITH SHORT EYE



FOR ADDITIONAL DETAILS, REFER TO THE FOLLOWING DOCUMENTS
 IDENT # 90042649 - OPERATING INSTRUCTIONS & SPARE PARTS
 IDENT # 90043249 - TECHNICAL DATA

MANUFACTURER: DEMAG CRANES & COMPONENTS
 29201 AURORA ROAD
 SOLON, OHIO 44139

MICRO FILM	
REV. RECORD	
0	
DATE	INITIAL
DESCRIPTION OF REVISION	
TOLERANCES, UNLESS OTHERWISE SPECIFIED:	
STRUCTURAL FRAMES	+/- 0.125"
MACHINED PARTS	+/- 0.01"
ANGULAR DIMENSIONS	+/- 30'
ALL MACHINED SURFACES TO BE	12.5
DIA. MARKED TO BE CONCENTRIC WITHIN 0.003" T.I.R.	

DRAWN	DATE	INITIALS
CHECKED		
APPR.		
SCALE:		
DEPT. CODE		

DESCRIPTION	DC Pro 5-500 H8 V1 460/60
TYPE	1/1 REEVED, LUG MOUNTED
ORIGINATED FROM:	
REPLACEMENT FOR:	

QUOTE NO.:	93014546	SK	AZ	ORDER NO.	F	U.A.	S	SHT.	OF
					3		E	/	