

MODEL: DC Pro 10-500 H5 V2 460/60

CAPACITY: 1100 LBS [500 kg]

LIFT: 16 FT

LIFT SPEED: 48/12 FPM

SUPPLY VOLTAGE: 460/3/60

CONTROL VOLTAGE: 24V

HOIST MOTOR: ZNK100A8/2

STARTING AMPS: 5.2/13.5

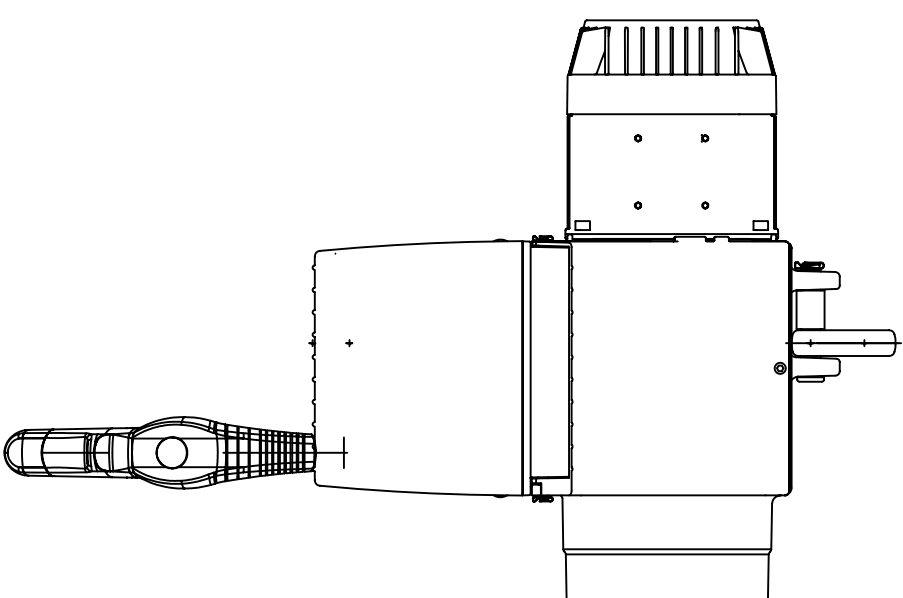
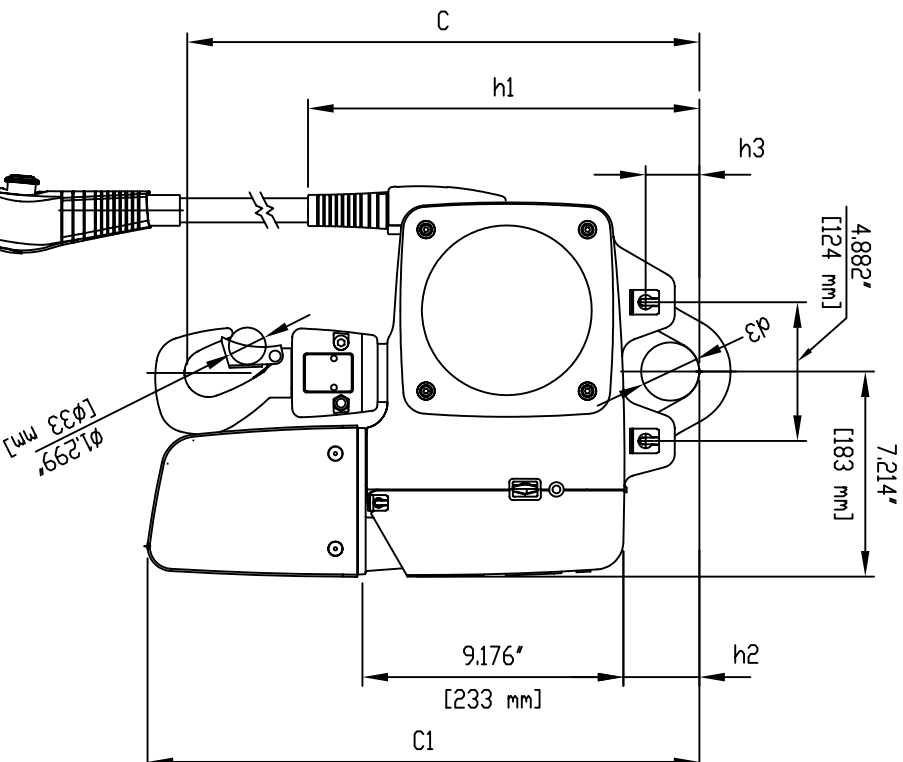
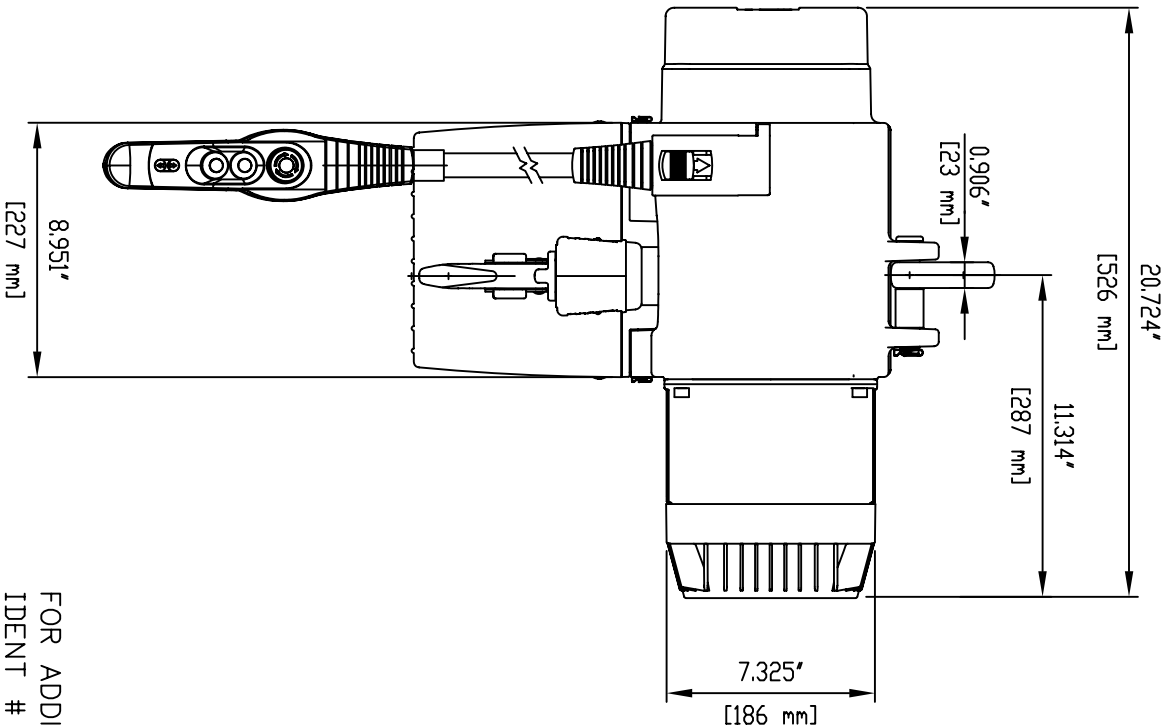
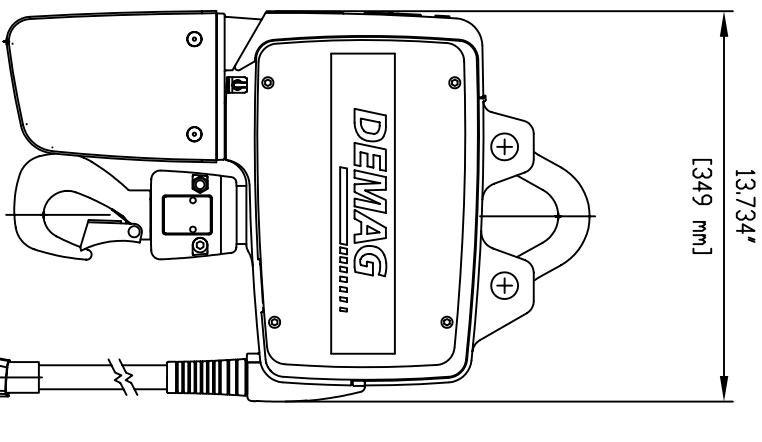
FULL LOAD AMPS: 2.9/3.5

HOIST WEIGHT: 120 LBS [54 kg]

HOIST DIMENSIONS*

SHORT SUSPENSION EYE	LONG SUSPENSION EYE
VALUE	VALUE
INCHES	INCHES
mm	mm
b5 1.10	b5 1.06
C 18.11	C 19.41
C1 19.41	C1 20.71
d3 2.05	d3 2.05
h1 13.78	h1 15.08
h2 2.56	h2 3.07
h3 1.89	h3 3.19

* DRAWING SHOWS HOIST WITH SHORT EYE



FOR ADDITIONAL DETAILS, REFER TO THE FOLLOWING DOCUMENTS
 IDENT # 90042649 - OPERATING INSTRUCTIONS & SPARE PARTS
 IDENT # 90043249 - TECHNICAL DATA

MANUFACTURER: DEMAG CRANES & COMPONENTS
 29201 AURORA ROAD
 SOLON, OHIO 44139

MICRO FILM		DATE		INITIALS		DESCRIPTION	
REV. RECORD		DATE		INITIALS		DESCRIPTION	
0							
DEMAG Cranes & Components		TOLERANCES, UNLESS OTHERWISE SPECIFIED: STRUCTURAL FRAMES +/- 0.125" MACHINED PARTS +/- 0.01" ANGULAR DIMENSIONS +/- 30' ALL MACHINED SURFACES TO BE 12.5		DIA. MARKED TO BE CONCENTRIC WITHIN 0.003" T.I.R.			
DRAWN	DATE	CHECKED	DATE	INITIALS	DATE	INITIALS	
APPR.		SCALE:					
DEPT. CODE		ORIGINATED FROM:	DC Pro 10-500 H5 V2 460/60		REPLACEMENT FOR:		
		TYPE	1/1 REEVED, LUG MOUNTED		IDENT-NO.	93049346	
		QUOTE NO.:			SK	AZ	
		ORDER NO.			F	U.A. S SHT. OF	
					3	E /	